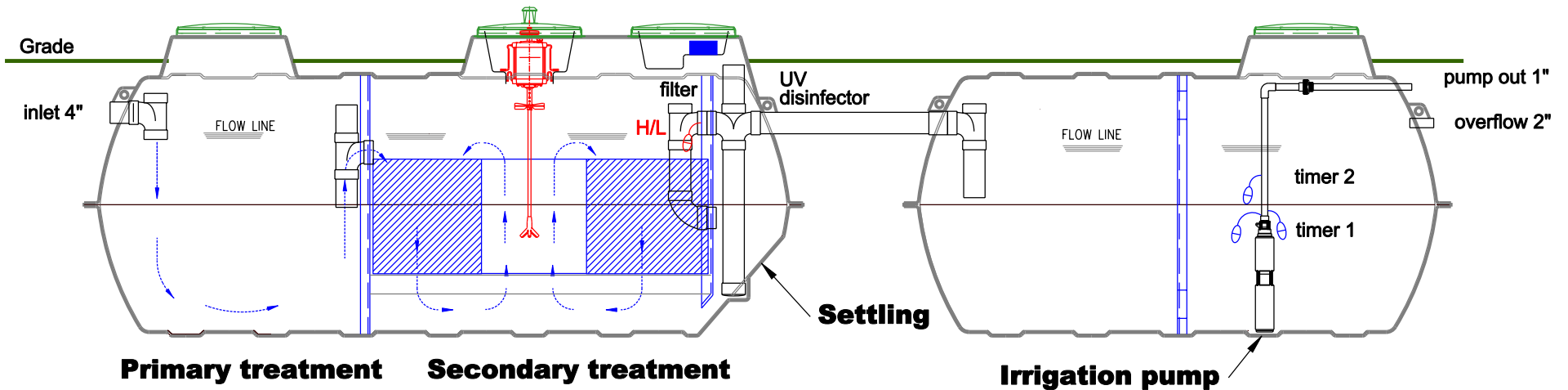
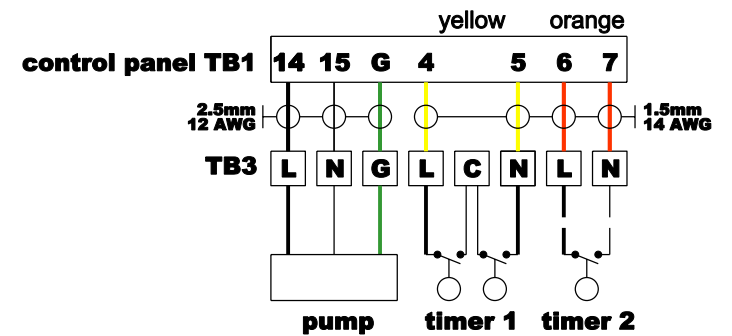


plant requires  
110v AC 60 Hz  
supply from accessible  
15A breaker



J1000 F-Z with optional collection tank- wiring diagram panel 195-CFJR