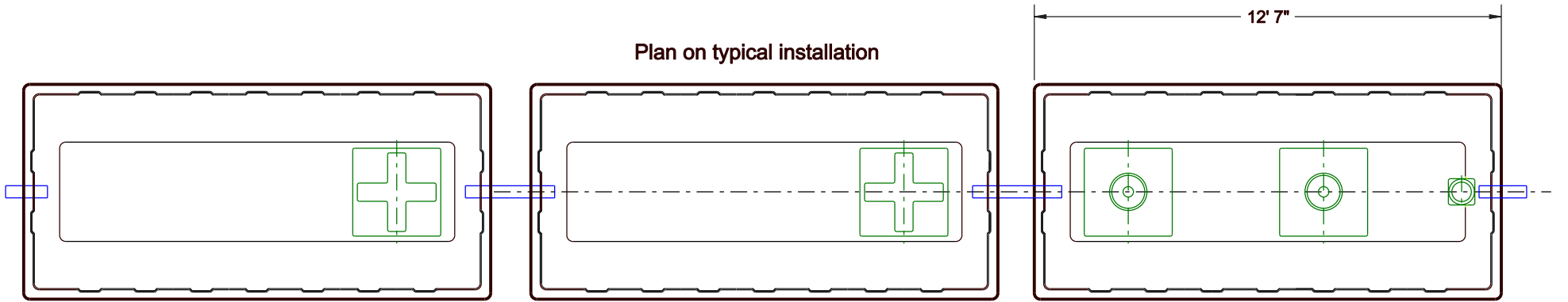
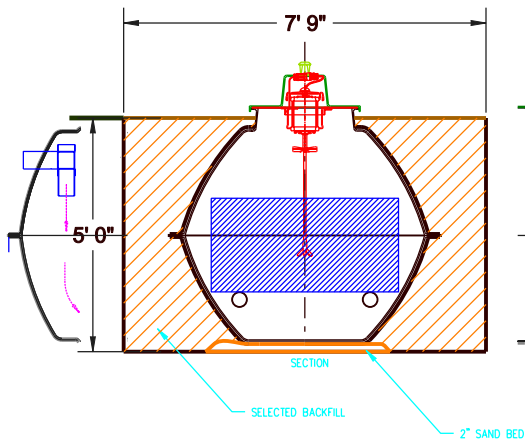


Plan on typical installation

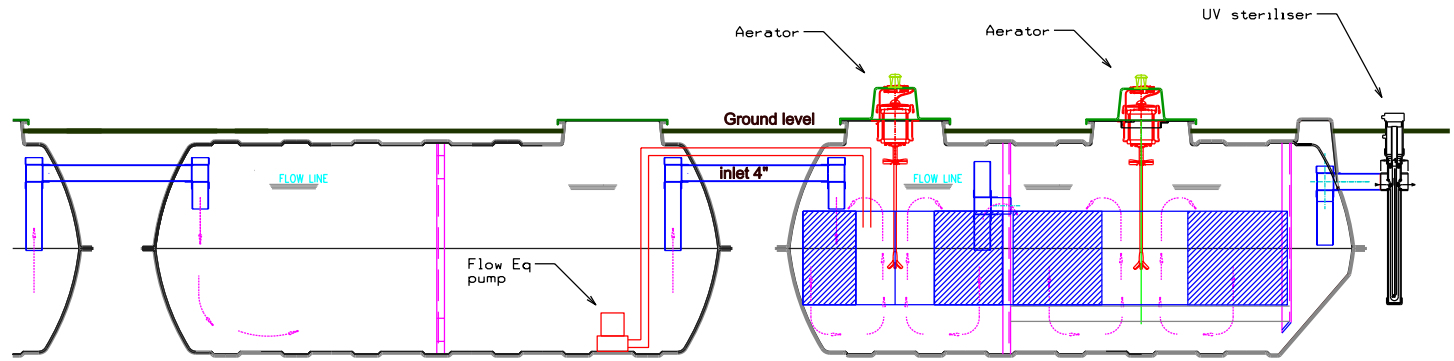


1500 USG pretreatment tank

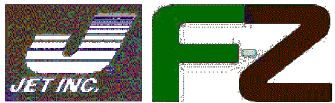
Typical installation



1500 USG flow equalisation tank



Fibre-Zone J2500 F-Z water treatment plant



Jet inc/ Fibre-Zone waste water treatment plant J2500 F-Z